

# CAUTION

Exercise extreme caution when assembling, SHARP EDGES!

# Charcoal / Ash Disposal Unit

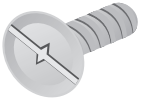
If you have any questions regarding the assembly of this product, please call 1-800-338-1323 Monday-Friday 8:00 a.m - 5:00 p.m. EST



## PARTS



(1) CHARCOAL TRAY "C"



(8) 1/2" FLAT HEAD BOLT "D"



(8) SPLIT LOCK WASHER "E"



(8) 1/4" NUT "F"



(12) 3/8" BOLT "G"



(12) KEY-LOCK NUT "H"



(8) METAL CLIP "I"



(4) WIRE HANDLE "J"



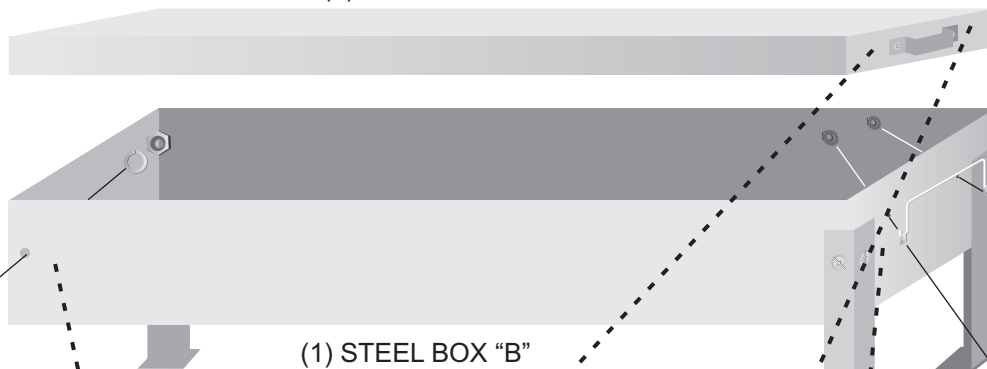
(2) STEEL HANDLE "K"



(4) STEEL LEG "L"

(1) STEEL TOP COVER "A"

Fig. A



(1) STEEL BOX "B"

Fig. B

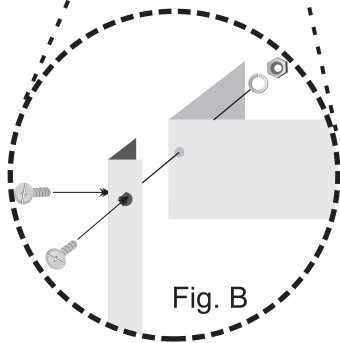


Fig. C

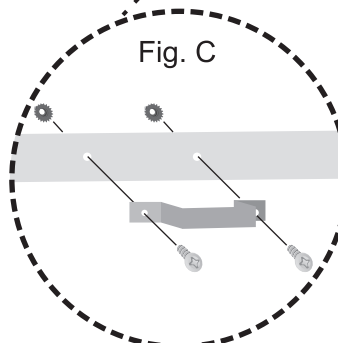
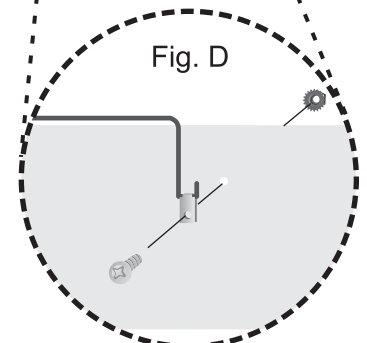


Fig. D



Attach the 4 steel legs "L" to steel box "B" using the 1/2" flat head bolts "D", cut washer "E" and 1/4" nut "F" as shown on figure B.

Attach the 2 steel handles "K" to the steel top cover "A" using the 3/8" bolts "G" and key-lock nuts "H" as shown on figure C.

Attach the 2 wire handles "J" to the steel box "B" using the metal clips "I", 3/8" bolt "G" and key-lock nut "H". Attach the 2 wire handles "J" to the charcoal tray "C" using the metal clips "I", 3/8" bolt "G" and key-lock nut "H" as shown in figure D.